



## 1-USB2.0 Port 10/100Mbps Ethernet Print Server

**Project Name : PS2101-C**

**Rev. 1.0**

2018/05/14

### **Modification History**

Revision	Date	Author	Description
V1.0	2018/05/14	Michael Ting	

# 1 HARDWARE SPECIFICATION

Hardware Spec.	PS2101-C
<b>General</b>	
CPU	<b>MT7688AN :</b> <b>Embedded MIPS24KEc (575/580 MHz) with 64 KB ICache and 32 KB D-Cache</b>
Reset / Load Factory default button	Yes, 1 Button
System Memory	<b>16-bit DDR2 16Mbytes</b>
SPI FLASH Memory	<b>2 Mbytes</b>
USB Port	<b>A type USB2.0(USB 2.0 (High speed) standard compliant host controller)</b>
Ethernet 10/100	10/100Mbps Compliant with IEEE 802.3/802.3u standard, 10/100Mbps auto-sensing, RJ-45 (UTP) connector
Status/Power LED indicator	<b>Orange</b> <b>On : Power on</b> <b>Off : Power off</b>
Network indicator on Lan Port	<b>Yellow / Green</b> <b>Yellow On : 10Mbps</b> <b>Green On : 100Mbps</b>
USB LED	<b>On : Connected to USB2.0 Printer</b> <b>Off : Disconnect</b>
<b>Power</b>	
Power supply covering all major regions	<b>DC 5V / 1A (switching, mini-sized)</b>

## 2 LED DEFINITION

LED Name	Color	Function
Status / Power	Orange	<ul style="list-style-type: none"> <li>- On : The unit's internal power supply is operating normally.</li> <li>- Off : The unit has no power connected.</li> </ul>
USB	Green	<ul style="list-style-type: none"> <li>- On : Connected to USB2.0 Printer.</li> <li>- Off : Disconnect</li> </ul>
Networking LED at LAN port	Yellow / Green	<ul style="list-style-type: none"> <li>- Yellow On : LAN is link-up at 10Mbps.</li> <li>- Green On : LAN is Link-up at 100Mbps</li> <li>- Blinking : The data transmitting.</li> </ul>

## 3 MECHANICAL SPECIFICATION :

PS2101-C

73.2(Length) x 64.8(Width) x 28.4(Height) mm

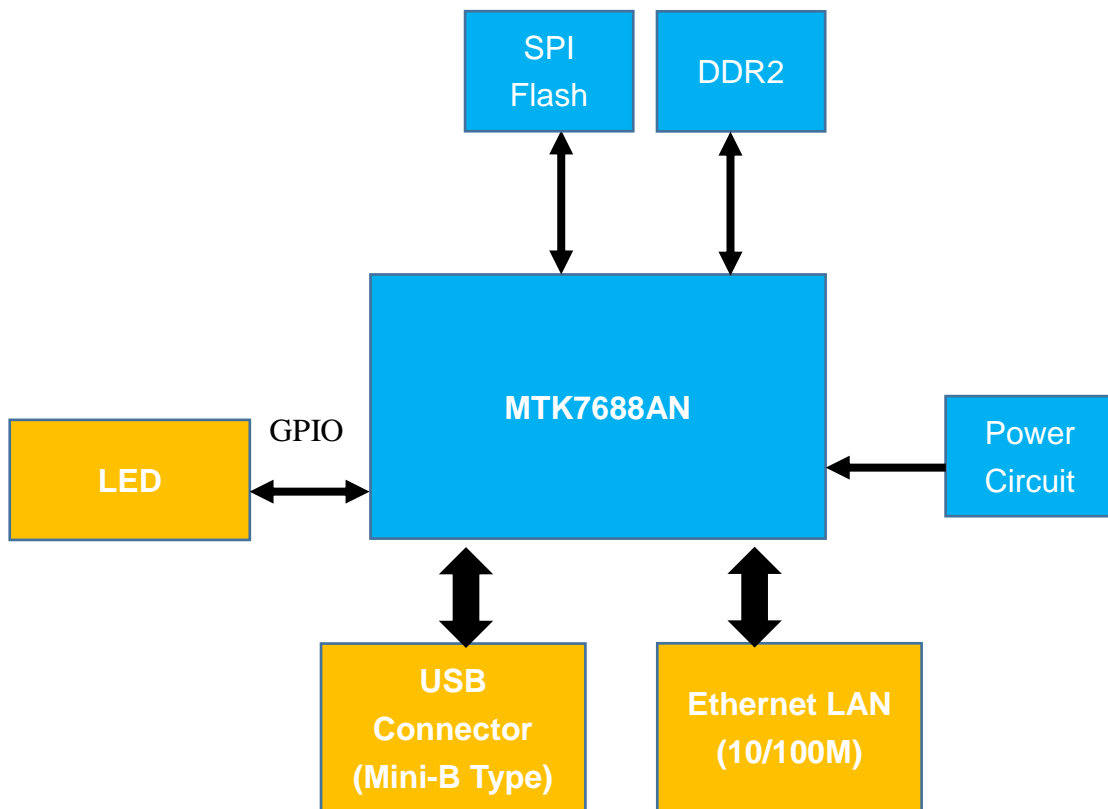
### Assembly Drawing



## 4 HARDWARE SYSTEM

---

### 4.1 Hardware System Block Diagram



### 4.2 Port Assignment

N/A



### 4.3 Print Server Internal Design

Feature	Specification
Network Operating System Support	Windows 9X/Me/NT/2000, XP-32/64, Vista-32/64 Windows 7-32/64, Windows 8/10 Unix/Linux, Mac OS(8.1 以上) Netware(Bindery/NDS)
Printing Protocol Support	TCP/IP, IPX, NetBEUI, AppleTalk, IPP, LPR, RAW TCP, SMB over TCP/IP
Internet Printing Protocol (IPP) Support	Yes
DHCP (client) Support	Yes
Management	1. Web Interface 2. Windows-Based setup program
Software Upgradeable	1. Web interface 2. Windows-based Setup Program 3. TFTP
Windows Print Monitor Technology	Yes
SNMP & HP Web JetAdmin Support	Yes
Email Alert	Yes
Job Log	Yes

### 4.4 GPIO Definition:

:

#### (1) MTK7688AN GPIO Definition

Pin Number	GPIO Pin Number	I/O	Pin Definition	Active level
#137	GPIO_38	WDT_RST_N		
#139	GPIO_39	LINK4	SW_RESET botton,input pin.	Active Low
#140	GPIO_40	LINK3	USB LED Bit,Outputpin  Green  On : Connected to USB2.0 Printer	

			Off : Disconnect	
#141	GPIO_41	LINK2	Status LED Bit,output pin. Orange On : Power on Off : Power off	
#142	GPIO_42	LINK1	LAN Port LED bit ,output pin Yellow On : 10Mbpos	
#143	GPIO_43	LINK0	LAN Port LED bit,output pin Green On : 100Mbps	
#144	GPIO_44	WLED_N		

## 4.5 Circuit

### 1. Reset

### 2. Clock

### 3. Power

5V / 1A input

## 4.6 Design Notes:

## 5 ENVIRONMENTAL SPEC

Operating Temperature	0°C to 45°C
Storage Temperature	-5°C to 65°C
Operating Humidity	0% to 70% relative humidity, non-condensing
Storage Humidity	0% to 80% relative humidity, non-condensing