

US2101 (1-USB2.0 Port USB over IP Server)

Version: 1.0.1, 2014/7/1

A. Interfaces

| |
|--|
| USB: 1-USB2.0 high speed compliant port |
| LAN: Compliant with IEEE 802.3/802.3u standards, 10/100Mbps auto-sensing, RJ-45 (UTP) connector |

B. Key Software Specification

| | |
|------------------------------------|--|
| Network Operating System Support | Windows XP/Vista/7/8/10 Linux/Mac(print server via LPR) |
| DHCP (client) Support | Yes |
| Management | 1. Web interface 2. Windows-based Setup Program |
| Network Protocol | Proprietary virtual USB protocol LPR |
| Software Upgradeable | Web interface |
| USB Devices Support | Printer, MFP, Scanner, Mass Storage |
| USB HUB Support | Up to 4 USB connections |
| MFP Features Support | Print, Scan, Copy, Fax and Card reader |
| Windows Scan Utility (WIA) Support | Yes |

C. Hardware Specification

| | |
|--------------|--|
| USB Port | 1-USB2.0 high-speed port |
| LAN Port | 10/100Mbps, auto-sensing, auto-crossover |
| Reset Button | Yes |

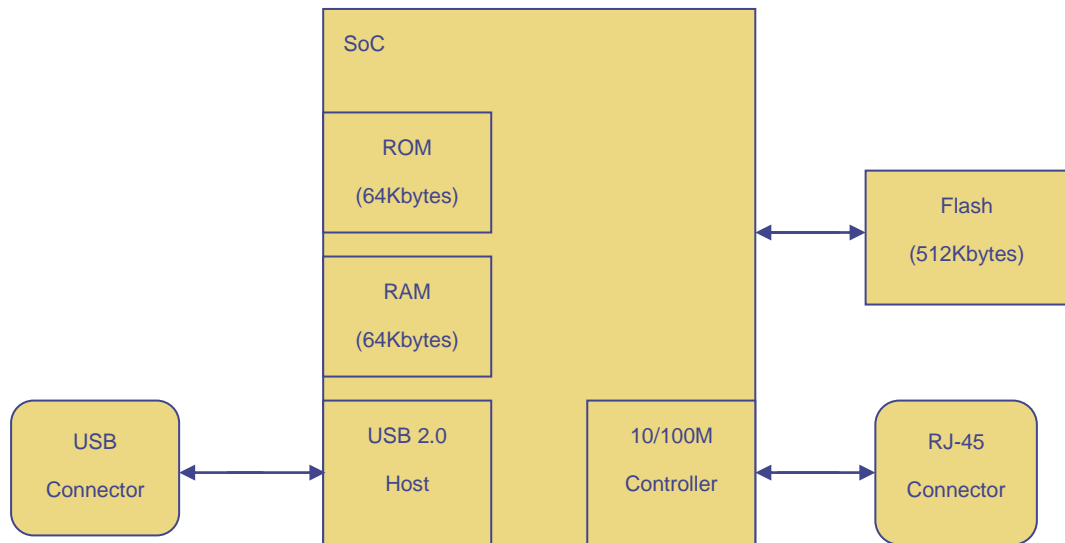
| | |
|--------------------|--|
| Power Adapter | 5V/2A, Switching |
| Dimension | 56 (Length) x 52 (Width) x 23 (Height) mm |
| Weight | 32 g (device only) |
| EMI Certifications | CE / FCC Class B |
| Temperature | Operating : 0 ~ 50°C; Storage : -5 ~ 65 °C |
| Humidity | Operating : 0 ~ 70%; Storage : 0 ~ 80% |

*As of the release of this specification. The specification is subject to change without prior notice.

Housing



System Block Diagram



Application

