

4-USB2.0 Port USB over IP Server)

Version: 1.0

Generic Product Name : US-2402

A. Interfaces

USB: 4-USB2.0 high speed compliant port
LAN: Compliant with IEEE 802.3/802.3u standards, 10/100/1000 Mbps auto-sensing, RJ-45 (UTP) connector

B. Key Software Specification

DHCP (Client) Support	Yes
Network Operating System Support	1. Windows XP(32/64bit)/Vista(32/64bit) 2. Windows 7/8/10 3. Linux/Mac(print server via LPR)
Management	1. Web interface 2. Windows-based Setup Program
Network Protocol	1. Proprietary virtual USB over IP protocol 2. Print Server (LPR)
Software Upgradeable	Web interface
USB Devices Support	Printer, MFP, Scanner, Mass Storage, USB audio, Webcam, TV Tuner Card
MFP Features Support	Print, Scan, Copy, Fax and Card reder
Windows Scan Utility (WIA) Support	Yes

C. Hardware Specification

USB Port	4-USB2.0 high-speed port
LAN Port	10/100/1000 Mbps, auto-sensing, auto-crossover
Reset Button	Yes

Power Adapter	5V/2A, Switching
Dimension	107 (Length) x 76 (Width) x 30 (Height) mm

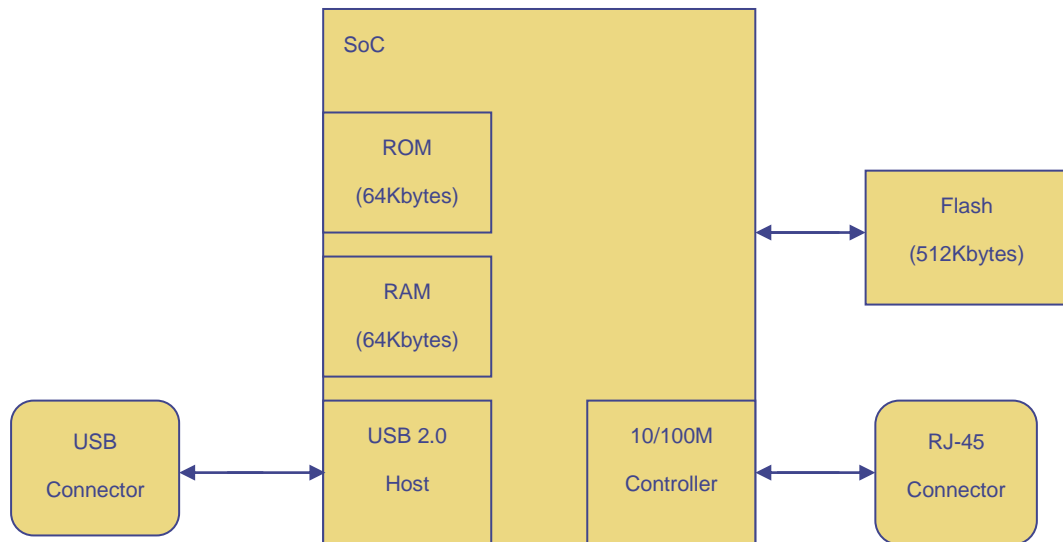
Weight	112 g (device only)
EMI Certifications	CE , FCC Class B, VCCI
Temperature	Operating : 0 ~ 50°C; Storage : -5 ~ 65 °C
Humidity	Operating : 0 ~ 70%; Storage : 0 ~ 80%

*As of the release of this specification. The specification is subject to change without prior notice.

Housing



System Block Diagram



Application

