

Mini-sized Network Print Server

Version: 1.1.3, 2017/3/11

Product Description:

1-Parallel Port Network Print Server

Generic Model Name: PAN1001

Interfaces

Parallel: 1 DB-36-pin female Centronics port
LAN: 1 Compliant with IEEE 802.3/802.3u standard, 10/100Mbps auto-sensing, RJ-45 (UTP) connector, Auto-crossover

Key Software Specification

Easy-to-Use Windows Setup Wizard	Yes (Network Print Server Setup Wizard)
Network Operating System Support	Windows 9x/Me/NT4.0/2000/XP/Vista/7/8/10 Mac OS 8.1 or higher, UNIX/Linux NetWare (Bindery/NDS)
Network Protocol Support*	TCP/IP, IPX, NetBEUI, AppleTalk, LPR, SMB (over IP), RAW TCP
Internet Printing Protocol (IPP) Support	Yes
Rendezvous(Bonjour) Support	Yes
Windows Print Monitor Technology	Yes
DHCP (client) Support	Yes
Default IP Address	192.168.0.10; DHCP: off
Management	1. Web Interface 2. Windows-based Setup Program
Software Upgradeable	Yes (Web browser and TFTP)
HP Web JetAdmin Support	Yes
E-Mail Alert Support	Yes
Job Log Support	Yes
Firmware Upgradeable	1. Web interface 2. Windows-based Setup Program 3. TFTP

Hardware Specification

CPU	ARM7-based SoC
Flash	1Mbytes
System Memory	2Mbytes SDRAM*
Parallel Port	1 DB-36-pin male Centronics port
LAN Port	1 10/100Mbps auto-sensing, RJ-45 (UTP) connector
Reset/Load Default Button/Self-test print	Yes

LED Function	Counter	Remark
Power/Status	1	Yellow
LAN 10/100M	2 (G/Y)	Green for 100Mbps, Yellow for 10Mbps

Dimension	56 (Length) x 57 (Width) x 22 (Height) mm
Power Supply	5VDC, 1A (Switching)
Weight	50.6g (Device Only)
Temperature	Operating : 0 ~ 50°C; Storage : -5 ~ 65 °C
Humidity	Operating : 0 ~ 70%; Storage : 0 ~ 80%

EMC & Safety

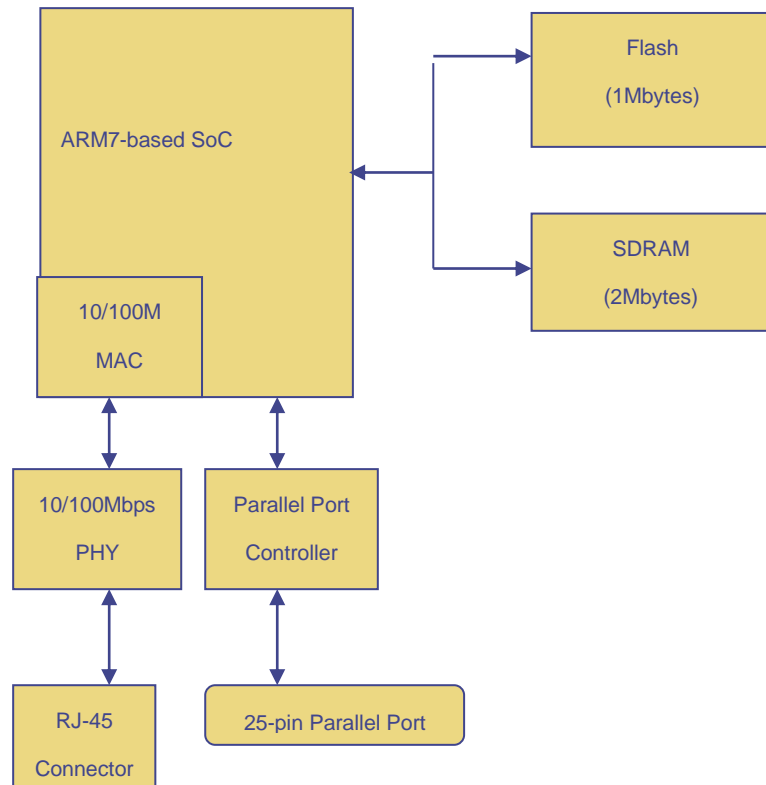
Feature	Detailed Description
EMI Certification	CE, FCC class B, VCCI

The specification is subject to change without prior notice.

Housing



System Block Diagram



Application

