



## | Product Description |

1-Parallel Port Network Print Server

# - PAN1001 -

Mini-sized Network Print Server

Version : 1.1.3

2017 - 3 - 11

Generic Model Name : **PAN1001**

### Interfaces

<b>Parallel</b> : 1 DB-36-pin female Centronics port
<b>LAN</b> : 1 Compliant with IEEE 802.3/802.3u standard, 10/100Mbps auto-sensing, RJ-45 (UTP) connector, Auto-crossover

### Key Software Specification

<b>Easy-to-Use Windows Setup Wizard</b>	Yes (Network Print Server Setup Wizard)
<b>Network Operating System Support</b>	Windows 9x/Me/NT4.0/2000/XP/Vista/7/8/10 Mac OS 8.1 or higher, UNIX/Linux NetWare (Bindery/NDS)
<b>Network Protocol Support*</b>	TCP/IP, IPX, NetBEUI, AppleTalk, LPR, SMB (over IP), RAW TCP
<b>Internet Printing Protocol (IPP) Support</b>	Yes
<b>Rendezvous(Bonjour) Support</b>	Yes
<b>Windows Print Monitor Technology</b>	Yes
<b>DHCP (client) Support</b>	Yes
<b>Default IP Address</b>	192.168.0.10; DHCP: off
<b>Management</b>	1. Web Interface 2. Windows-based Setup Program
<b>Software Upgradeable</b>	Yes (Web browser and TFTP)
<b>HP Web JetAdmin Support</b>	Yes
<b>E-Mail Alert Support</b>	Yes
<b>Job Log Support</b>	Yes
<b>Firmware Upgradeable</b>	1. Web interface 2. Windows-based Setup Program 3. TFTP

## Hardware Specification

CPU	ARM7-based SoC
Flash	1Mbytes
System Memory	2Mbytes SDRAM*
Parallel Port	1 DB-36-pin male Centronics port
LAN Port	1 10/100Mbps auto-sensing, RJ-45 (UTP) connector
Reset/Load Default Button/Self-test print	Yes

LED Function	Counter	Remark
Power/Status	1	Yellow
LAN 10/100M	2 (G/Y)	Green for 100Mbps, Yellow for 10Mbps

Dimension	56 (Length) x 57 (Width) x 22 (Height) mm
Power Supply	5VDC, 1A (Switching)
Weight	50.6g (Device Only)
Temperature	Operating: 0 ~ 50°C; Storage: -5 ~ 65 °C
Humidity	Operating: 0 ~ 70%; Storage: 0 ~ 80%

## EMC & Safety

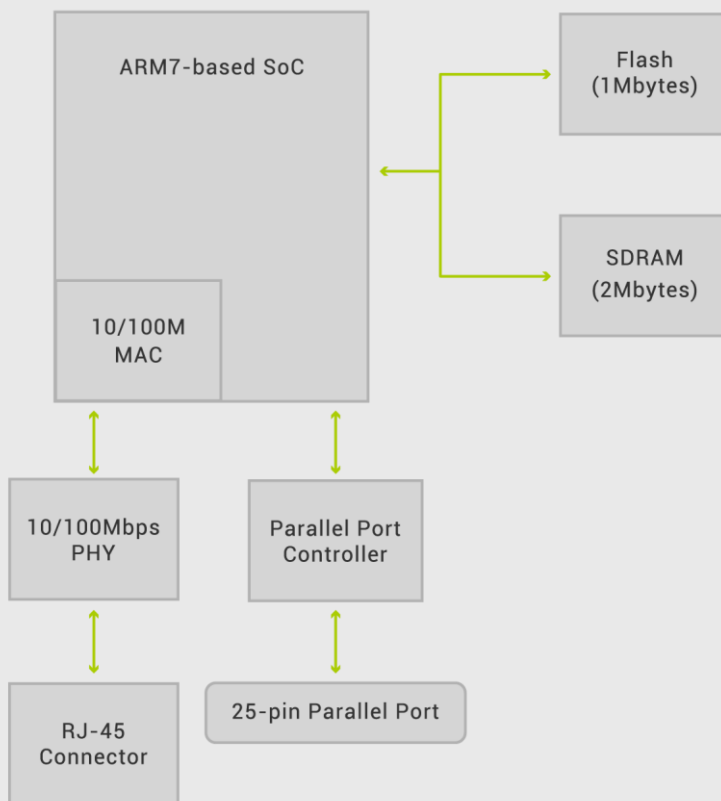
Feature	Detailed Description
EMI Certification	CE, FCC class B, VCCI

\*The specification is subject to change without prior notice.

## Housing



## System Block Diagram



## Application

