



| Product Description |

1-USB2.0 Port 10/100Mbps Ethernet Print Server

- PS2101-C -

1-Port USB 2.0 Print Server

Version : 1.0

2018 - 5 - 14

Modification History

Revision	Date	Author	Description
V1.0	2018/05/14	Michael Ting	

Generic Model Name : **PS2101-C**

1. Hardware Specification

Hardware Spec.	PS2101-C
General	
CPU	MT7688AN : Embedded MIPS24KEc (575/580 MHz) with 64 KB ICache and 32 KB D-Cache
SPI FLASH Memory	2Mbytes
System Memory	16-bit DDR2 16Mbytes
USB Port	A type USB2.0(USB 2.0 (High speed) standard compliant host controller)
Reset/Load factory default button	Yes,1 Button
Ethernet 10/100	10/100Mbps Compliant with IEEE 802.3/802.3u standard, 10/100Mbps auto-sensing, RJ-45 (UTP) connector
Status/Power LED indicator	Orange On : Power on Off : Power off
Network indicator on Lan Port	Yellow / Green Yellow On : 10Mbps Green On : 100Mbps
USB LED	On : Connected to USB2.0 Printer Off : Disconnect
Power	
Power supply covering all major regions	DC 5V / 1A (switching, mini-sized)

2. LED Definition

LED Name	Color	Function
Status / Power	Orange	- On : The unit's internal power supply is operating normally. - Off : The unit has no power connected.
USB	Green	- On : Connected to USB2.0 Printer. - Off : Disconnect.
Networking LED at LAN port	Yellow / Green	- Yellow On : LAN is link-up at 10Mbps. - Green On : LAN is Link-up at 100Mbps - Blinking : The data transmitting.

3. Mechanical Specification

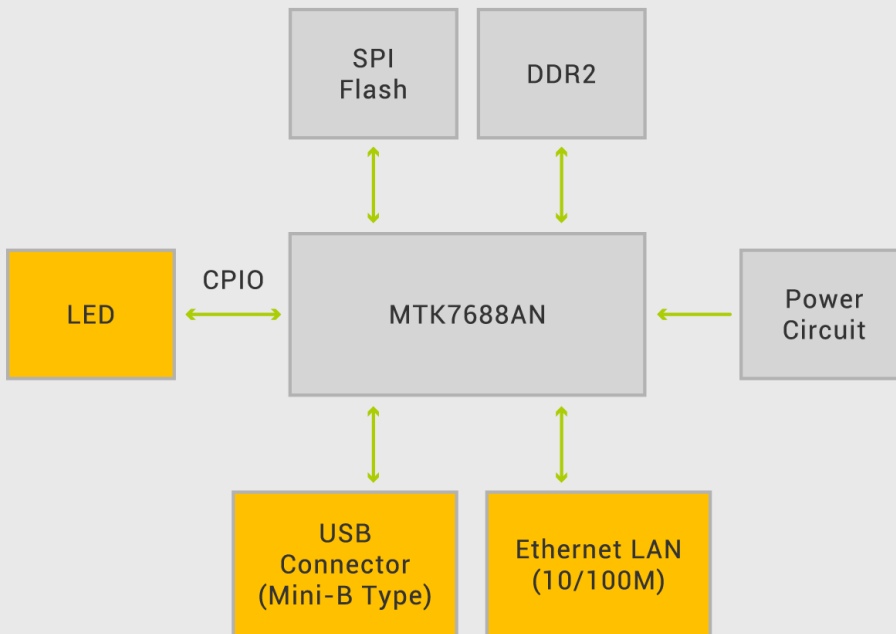
73.2(Length) x 64.8(Width) x 28.4(Height) mm

Assembly Drawing



4. HARDWARE SYSTEM

4.1 Hardware System Block Diagram



4.2 Print Server Internal Design

Feature	Specification
Network Operating System Support	Windows 9X/Me/NT/2000, XP-32/64, Vista-32/64 Windows 7-32/64, Windows 8/10 Unix/Linux, Mac OS(8.1 以上) Netware(Bindery/NDS)
Printing Protocol Support	TCP/IP, IPX, NetBEUI, AppleTalk, IPP, LPR, RAW TCP, SMB over TCP/IP
Internet Printing Protocol (IPP) Support	Yes
Windows Print Monitor Technology	Yes
DHCP (client) Support	Yes
Job Log	Yes
Management	1. Web interface 2. Windows-based Setup Program
Software Upgradeable	1. Web interface 2. Windows-based Setup Program 3. TFTP
SNMP & HP Web JetAdmin Support	Yes
Email Alert	Yes

4.3 GPIO Definition:

MTK7688AN GPIO Definition

Pin Number	GPIO Pin Number	I/O	Pin Definition	Active level
#137	GPIO_38	WDT_RST_N		
#139	GPIO_39	LINK4	SW_RESET button, input pin	Active Low
#140	GPIO_40	LINK3	USB LED Bit, Output pin Green On : Connected to USB2.0 Printer Off : Disconnect	
#141	GPIO_41	LINK2	Status LED Bit, output pin Orange On : Power on Off : Power off	
#142	GPIO_42	LINK1	LAN Port LED Bit, output pin Yellow On : 10Mbps	
#143	GPIO_43	LINK0	LAN Port LED Bit, output pin Green On : 100Mbps	
#144	GPIO_44	WLED_N		

5. Environmental Spec

Operating Temperature	0°C to 45°C
Storage Temperature	-5°C to 65°C
Operating Humidity	0% to 70% relative humidity, non-condensing
Storage Humidity	0% to 80% relative humidity, non-condensing