



## | Product Description |

802.11n /10/100Mbps Ethernet with 1-port USB Print Server

# - PS2101W-B -

Wireless N USB 2.0 Network Print Server

Version : 1.0

2016 - 1 - 14

### Modification History

Revision	Date	Author	Description
V1.0	2016/01/14	Junny Lu	1st draft based on product specification

Generic Model Name : **PS2101W-B**

## 1. Hardware Specification

Hardware Spec.	PS2101W-B
<b>General</b>	
CPU	MT7688AN : Embedded MIPS24KEc (575/580 MHz) with 64 KB ICache and 32 KB D-Cache
SPI FLASH Memory	2M bytes
System Memory	16-bit DDR2 16M bytes
USB Port	A type USB2.0(USB 2.0 (High speed) standard compliant host controller)
Reset/Load factory default button	Yes, 1 Button
LAN Port(10/100Mbps)	10/100Mbps Compliant with IEEE 802.3/802.3u standard, 10/100Mbps auto-sensing, RJ-45 (UTP) connector
Wireless Port	802.11n with internal 3dBi antenna (IPEX to FPWB)
WPS Button	Yes, 1 Button
Status/Power LED indicator	Orange On : Power on Off : Power off Networking Link : Blinking
Wireless Network indicator	Orange On : Linking Blinking : Data transmitting Off : Turn off s
USB LED	On : Connected to USB2.0 Printer Off : Disconnect
<b>Power</b>	
Power supply covering all major regions	DC 5V / 1A (switching, mini-sized)
<b>Wireless</b>	
Wireless Encryption	MTK 7688AN IEEE 802.11b/g/n, WEP(64/128bit), WPA/WPA2-PSK(TKIP, AES)
Wireless certifications	same as PS2101W-A with *ETSI EN 300 328 V1.9.1
Regions required	
Internal / External antenna	internal 3dBi antenna (IPEX to FPWB)

## 2. LED Definition

LED Name	Color	Function
Status / Power	Orange	<ul style="list-style-type: none"><li>- On : The unit has internal power supply is operating normally.</li><li>- Off : The unit has no power connected.</li><li>- Blinking : The networking link-up.</li></ul>
USB	Green	<ul style="list-style-type: none"><li>- On : Connected to USB2.0 Printer.</li><li>- Off : Disconnect</li></ul>
Wireless Port	Orange	<ul style="list-style-type: none"><li>- On : Wireless is link-up.</li><li>- Blinking : The data transmitting.</li><li>- Off : Wireless is turn off</li></ul>

## 3. Mechanical Specification

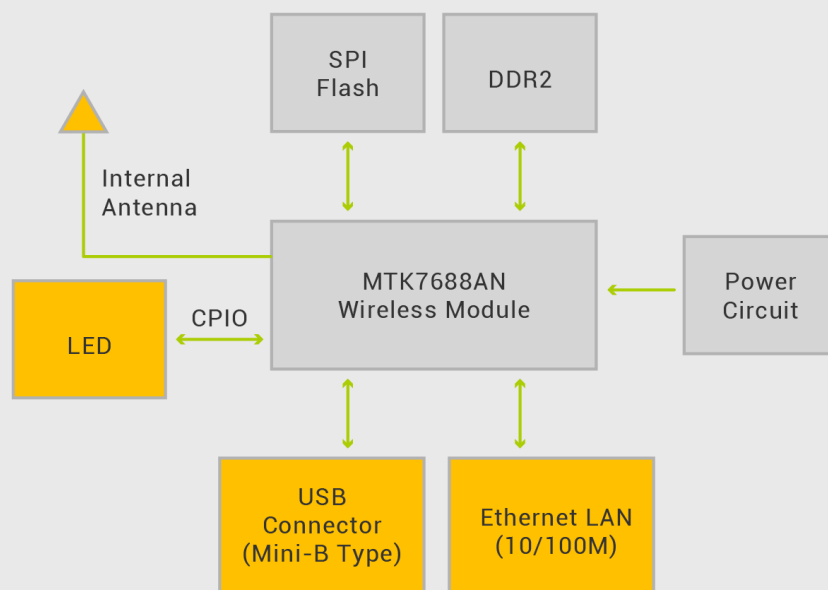
72 (Length) x 58 (Width) x 25 (Height) mm

### Assembly Drawing



## 4. HARDWARE SYSTEM

### 4.1 Hardware System Block Diagram



### 4.2 Print Server Internal Design

Feature	Specification
<b>Network Operating System Support</b>	Windows 9X/Me/NT/2000, XP-32/64, Vista-32/64 Windows 7-32/64, Windows 8/10 Unix/Linux, Mac OS(8.1 以上) Netware(Bindery/NDS)
<b>Printing Protocol Support</b>	TCP/IP, IPX, NetBEUI, AppleTalk, LPR,SMB Over IP
<b>Internet Printing Protocol (IPP) Support</b>	Yes
<b>Windows Print Monitor Technology</b>	Yes
<b>DHCP (client) Support</b>	Yes
<b>Print Job Log</b>	Yes
<b>Management</b>	1. Web Interface 2. Windows-Based setup program 3. Wireless PS Wizard
<b>Software Upgradeable</b>	1. Web interface 2. Windows-based Setup Program
<b>SNMP &amp; HP Web JetAdmin Support</b>	Yes
<b>Wireless Security</b>	WEP(64/128bit), WPA/WPA2-PSK(TKIP, AES)
<b>WPS</b>	Yes

### 4.3 GPIO Definition:

#### MTK7688AN GPIO Definition

Pin Number	GPIO Pin Number	I/O	Pin Definition	Active level
#137	GPIO_38	WDT_RST_N	Wireless WPS_SW button, input pin	Active Low
#139	GPIO_39	LINK4	SW_RESET button, input pin	Active Low
#140	GPIO_40	LINK3	USB LED Bit, Output pin	
#141	GPIO_41	LINK2	Status LED Bit, output pin Orange On : Power on Off : Power off Networking Link : Blinking	
#142	GPIO_42	LINK1		
#143	GPIO_43	LINK0		
#144	GPIO_44	WLED_N	WLAN LED Bit, output pin  Orange On : Linking Blinking : Data transmitting Off : Turn off	

### 4.4 Design Notes:

Risk point

1. Wireless RF testing and control.
2. Wireless RF Layout.

## 5. Environmental Spec

Operating Temperature	0°C to 45°C
Storage Temperature	-5°C to 65°C
Operating Humidity	0% to 70% relative humidity, non-condensing
Storage Humidity	0% to 80% relative humidity, non-condensing